

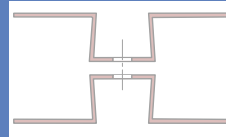


FIPRO Fire Protection Panels

For Shipbuilding and Offshore Interior Applications

Technical Information

PROFILES



2009

Profiles



Marketing and Sales:

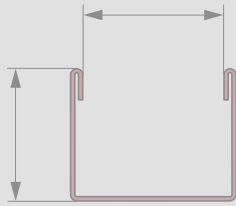
FIPRO AG | Baarerstrasse 8 | CH-6301 Zug | Switzerland | Phone: ++41 41 712 20 75

Fax: ++41 41 712 20 76 | e-mail: info@fipro-ag.com | www.fipro-ag.com

**FIPRO AG**

Baarerstrasse 8 | Postfach 452 | CH-6301 Zug | Switzerland

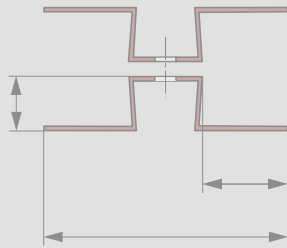
Phone +41 41 712 20 75 | Fax +41 41 712 20 76 | info@fipro-ag.com

www.fipro-ag.com

Profiles

Metal Profiles

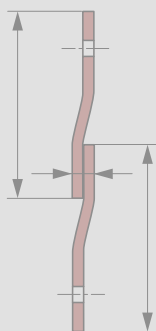
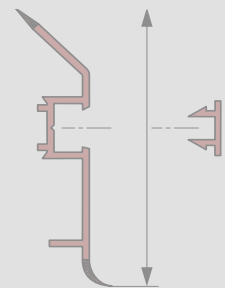
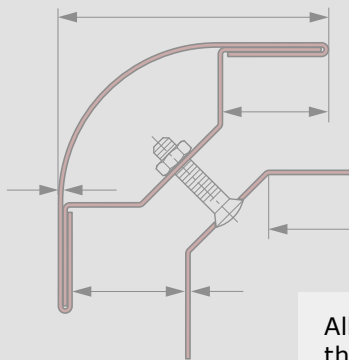
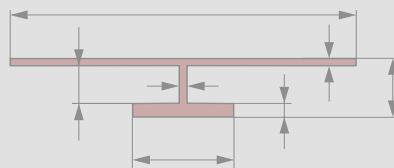
- | | |
|-----|----------------------------------|
| 1.1 | Bulkhead jointing sections |
| 1.2 | Corner jointing sections |
| 1.3 | Corner jointing sections |
| 1.4 | Top and Bottom jointing sections |
| 1.5 | Double Shell jointing sections |
| 1.6 | Ceiling jointing sections |
| 1.7 | Cross jointing sections |



- | | |
|-----|---------------------------|
| 2.1 | Special jointing sections |
|-----|---------------------------|

PVC Profiles

- | | |
|-----|----------------|
| 3.1 | Cover Profiles |
|-----|----------------|



All of our **profiles** comply with the conditions of the international marine safety authorities and can be manufactured in the following finishings:

- Sendzimir galvanised
- Primer coat for painting
- Stove-enamelled in RAL colour chart
- up to 2500/5000 mm length
- PVC-film coated sheet metal
- Stainless steel, rough and brushed

On request, all profiles can be delivered with fixed lengths or predrilled. The spacing between the holes of predrilled profiles is 300 mm as a rule.

The **PVC profiles** are available in standard colours from our colour range.

With special colours, minimum purchase quantities may be required. They are different depending upon the sizes and the finishing of the profiles.

For C-Class constructions, some of the profiles shown in this brochure are also available, on demand, in aluminium (raw, anodised or stove-enamelled).

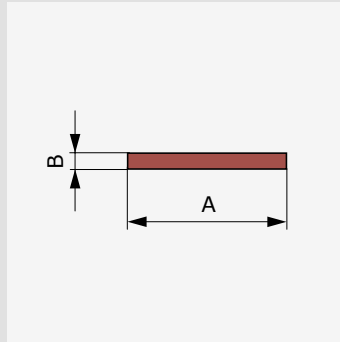
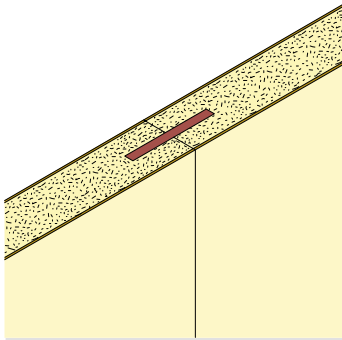


FIPRO AG

Baarerstrasse 8 | Postfach 452 | CH-6301 Zug | Switzerland
 Phone +41 41 712 20 75 | Fax +41 41 712 20 76 | info@fipro-ag.com
 www.fipro-ag.com

Metal Profiles

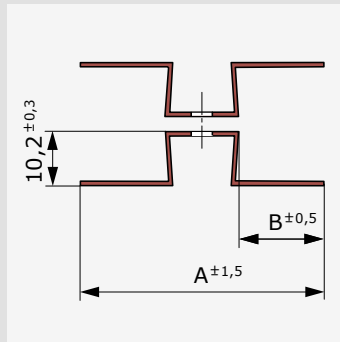
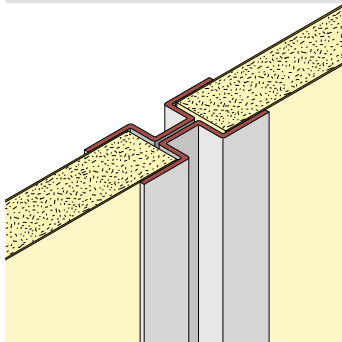
Bulkhead jointing sections



No.	Thick- ness mm	A mm	B mm	Weight kg/m
S01	3,0	25	3	0,552
S02	3,0	30	3	0,663
S03	2,0	40	2	0,940
S04	2,0	25	2	0,368

Material: zinc coated.
 Standard length: 2500 mm. Also other sizes available.

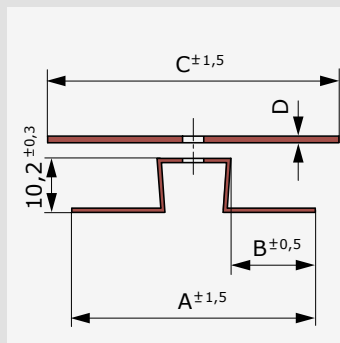
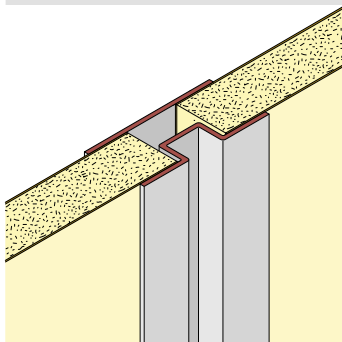
steel spline,
 deburred and straightened



No.	Thick- ness mm	A mm	B mm	Weight kg/m
610	0,8	30	10	0,580
616	0,8 1,5	46	16	0,754 1,380
620	0,8 1,5	54	19	0,880 1,560

Material: zinc coated or stainless steel.
 Standard length: 2500 mm. Also other lengths available.
 Prescrewed every 300 mm.

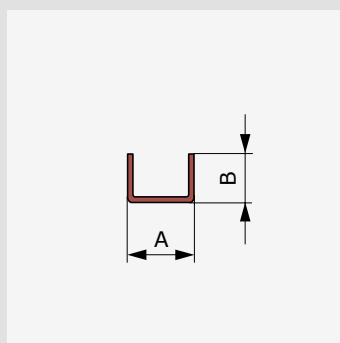
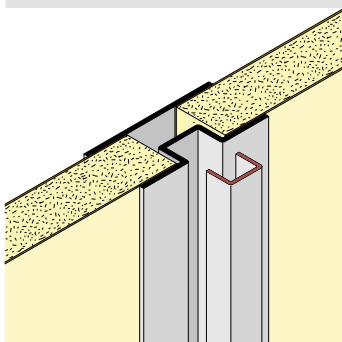
double OMEGA-steel profile



No.	Thick- ness mm	A mm	B mm	C mm	D mm	Weight kg/m
310-FL	0,8	30	10	35	1,25	0,635
316-FL	0,8 1,5	46	16	55	1,5	1,025 1,338
320-FL	0,8 1,5	54	19	55	1,5	1,088 1,428

Material: zinc coated or stainless steel.
 Standard length: 2500 mm. Also other lengths available.
 Prescrewed every 300 mm.

single OMEGA-steel profile



No.	Thick- ness mm	A mm	B mm	Weight kg/m
Screw cover strips to suit section series 310/316/320/610/616/620				
U01	0,5	7,6	9	0,100
U02	0,5	12,2	9	0,110

Material: zinc coated or stainless steel.
 Standard length: 2500 mm. Also other lengths available.

screw cover strip



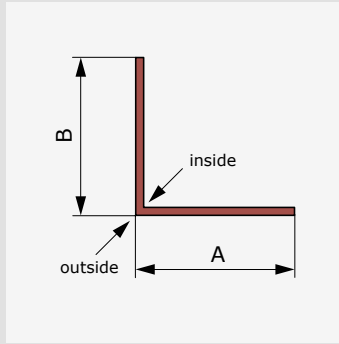
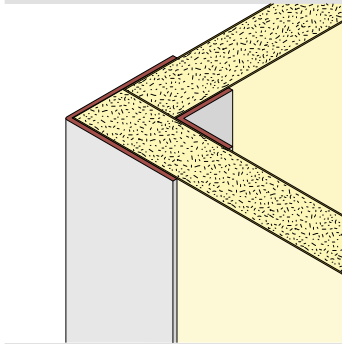


FIPRO AG

Baarerstrasse 8 | Postfach 452 | CH-6301 Zug | Switzerland
 Phone +41 41 712 20 75 | Fax +41 41 712 20 76 | info@fipro-ag.com
www.fipro-ag.com

Metal Profiles

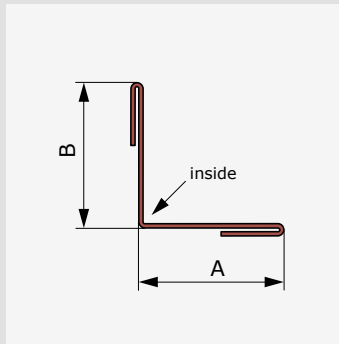
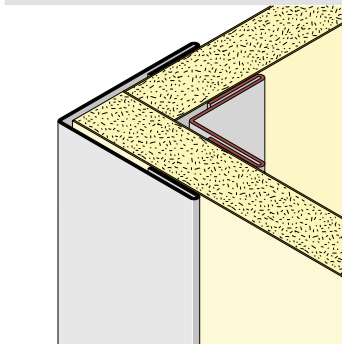
Corner jointing sections



external and internal corner section

No.	Thick-ness mm	A mm	B mm	Weight kg/m
520	1,5	20	20	0,442
525	1,5	25	25	0,552
530	1,5	30	30	0,663
540	1,5	40	40	0,884
545	1,5	45	45	0,994

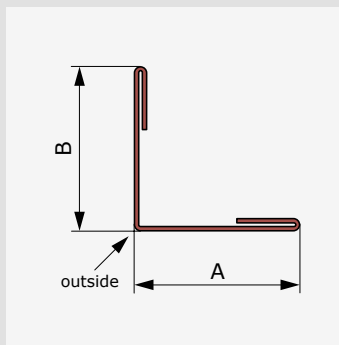
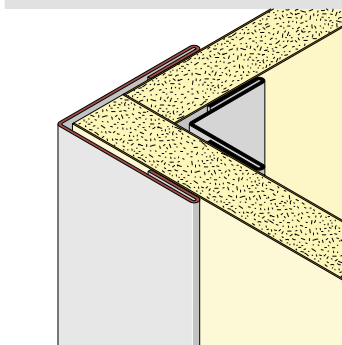
Material: zinc coated or stainless steel.
 Standard length: 2500 mm. Also other lengths and sizes available, drilled on customer's request.



internal corner section, edges curved

No.	Thick-ness mm	A mm	B mm	Weight kg/m
501	0,75	Sizes to be specified		-

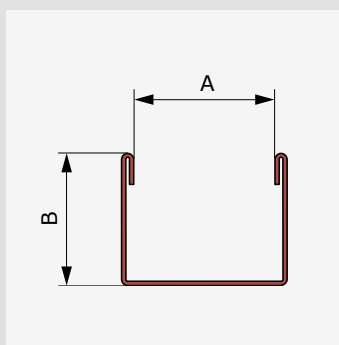
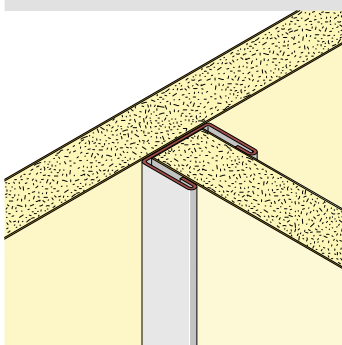
Material: zinc coated or stainless steel.
 Standard length: 2500 mm. Also other lengths and sizes available, drilled on customer's request. For powder coating, colour for inside and outside to be specified.



external corner section, edges curved

No.	Thick-ness mm	A mm	B mm	Weight kg/m
502	0,75	Sizes to be specified		-

Material: zinc coated or stainless steel.
 Standard length: 2500 mm. Also other lengths and sizes available, drilled on customer's request. For powder coating, colour for inside and outside to be specified.



U-sections, edges curved

No.	Thick-ness mm	A mm	B mm	Weight kg/m
503	0,75	Sizes to be specified		-
504	0,75	Sizes to be specified		-

Material: zinc coated or stainless steel.
 Standard length: 2500 mm. Also other lengths and sizes available, drilled on customer's request. For powder coating, colour for inside and outside to be specified.

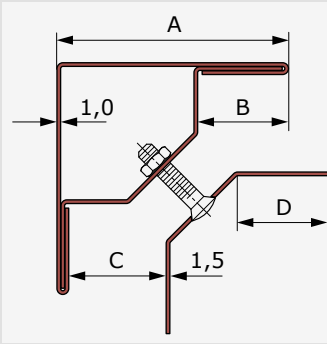
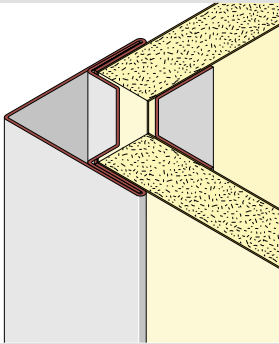


FIPRO AG

Baarerstrasse 8 | Postfach 452 | CH-6301 Zug | Switzerland
 Phone +41 41 712 20 75 | Fax +41 41 712 20 76 | info@fipro-ag.com
www.fipro-ag.com

Metal Profiles

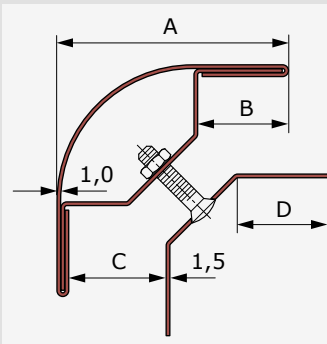
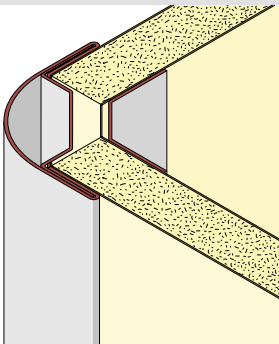
Corner jointing sections



external and internal corner section

No.	Thick-ness mm	A mm	B mm	C mm	D mm	Weight kg/m
90-E	-	51	20	16-25	20	2,340

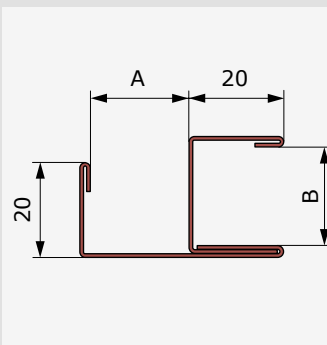
Material: zinc coated or stainless steel.
 Standard length: 2500 mm. Also other lengths and sizes available, drilled on customer's request. For powder coating, colour for inside and outside to be specified.



external and internal corner section, rounded

No.	Thick-ness mm	A mm	B mm	C mm	D mm	Weight kg/m
90-R	-	51	20	16-25	20	2,340

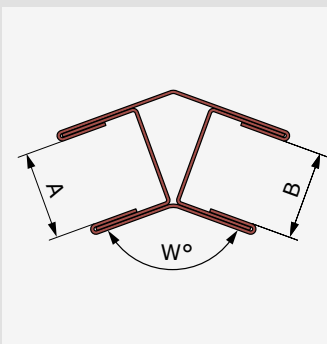
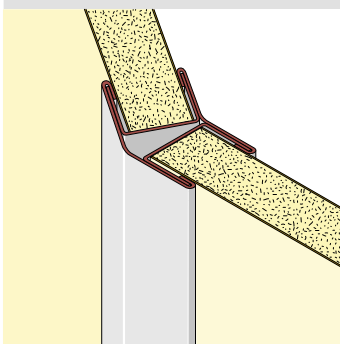
Material: zinc coated or stainless steel.
 Standard length: 2500 mm. Also other lengths and sizes available, drilled on customer's request. For powder coating, colour for inside and outside to be specified.



corner section

No.	Thick-ness mm	A mm	B mm	Weight kg/m
509	1,0	Sizes and design on request		-

Material: zinc coated or stainless steel.
 Standard length: 2500 mm. Also other lengths and sizes available, drilled on customer's request. For powder coating, colour for inside and outside to be specified.



corner section

No.	Thick-ness mm	A mm	B mm	W °	Weight kg/m
510	1,0	Sizes and design on request			-

Material: zinc coated or stainless steel.
 Standard length: 2500 mm. Also other lengths and sizes available, drilled on customer's request. For powder coating, colour for inside and outside to be specified.

Other types of profiles (H- and corner) with curved edges on request!



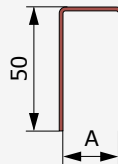
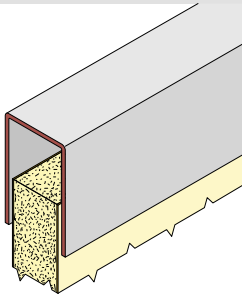


FIPRO AG

Baarerstrasse 8 | Postfach 452 | CH-6301 Zug | Switzerland
 Phone +41 41 712 20 75 | Fax +41 41 712 20 76 | info@fipro-ag.com
www.fipro-ag.com

Metal Profiles

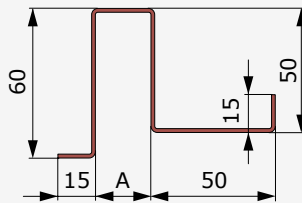
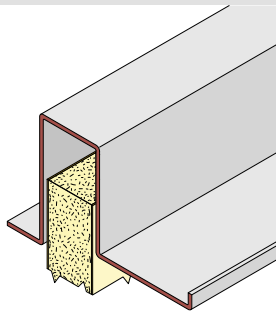
Top and Bottom jointing sections



top U-profile

No.	Thick-ness mm	A mm	Weight kg/m
50/22	1,5	22	1,400

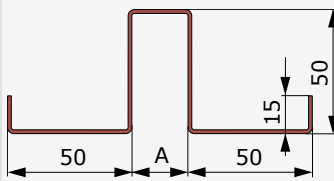
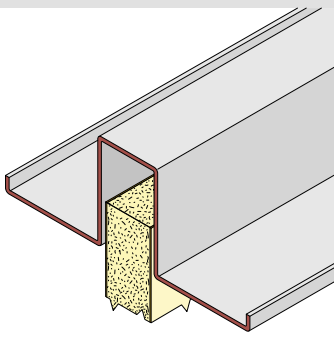
Material: zinc coated or stainless steel.
 Standard length: 2500 mm. Also other lengths and sizes available, drilled on customer's request.



top U-profile for lining

No.	Thick-ness mm	A mm	Weight kg/m
150/50	1,5	22	2,400

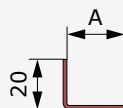
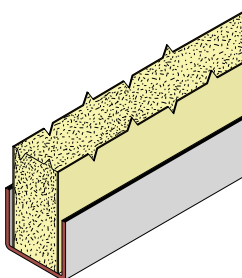
Material: zinc coated or stainless steel.
 Standard length: 2500 mm. Also other lengths and sizes available, drilled on customer's request.



top U-profile for bulkhead

No.	Thick-ness mm	A mm	Weight kg/m
150/50/50	1,5	22	2,800

Material: zinc coated or stainless steel.
 Standard length: 2500 mm. Also other lengths and sizes available, drilled on customer's request.



bottom U-profile

No.	Thick-ness mm	A mm	Weight kg/m
119/20	1,5	19	0,685
120/20	1,5	20	0,696
121/20	1,5	21	0,707
122/20	1,5	22	0,718
123/20	1,5	23	0,729
124/20	1,5	24	0,740
125/20	1,5	25	0,751
126/20	1,5	26	0,762

Material: zinc coated or stainless steel.
 Standard length: 2500 mm. Also other lengths and sizes available, drilled on customer's request.

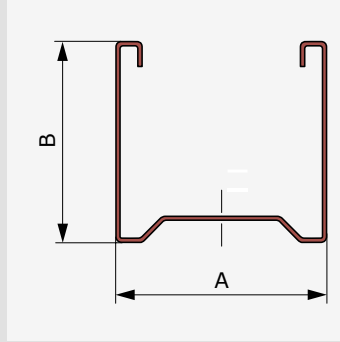
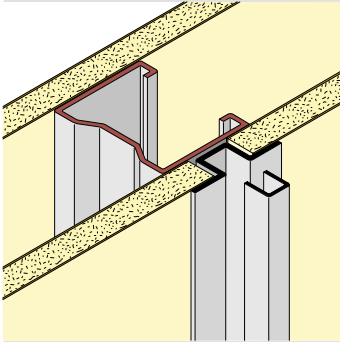


FIPRO AG

Baarerstrasse 8 | Postfach 452 | CH-6301 Zug | Switzerland
 Phone +41 41 712 20 75 | Fax +41 41 712 20 76 | info@fipro-ag.com
www.fipro-ag.com

Metal Profiles

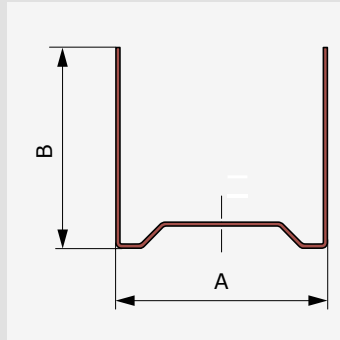
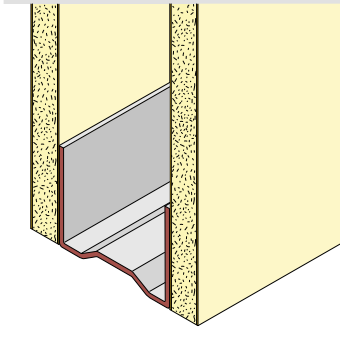
Double Shell jointing sections



C-profile

Thick- ness No.	A mm	B mm	Weight kg/m
Details on request			

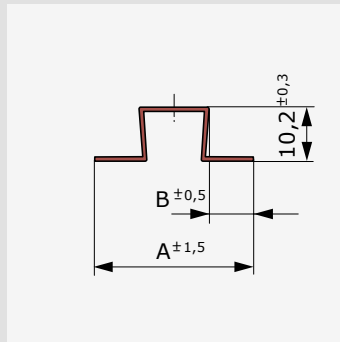
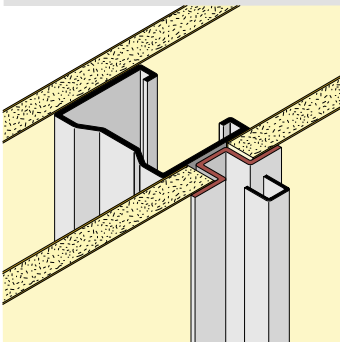
Material: zinc coated.
 Standard length: 2500 mm. Also other lengths available.
 Prescrewed every 300 mm.



C-profile

Thick- ness No.	A mm	B mm	Weight kg/m
Details on request			

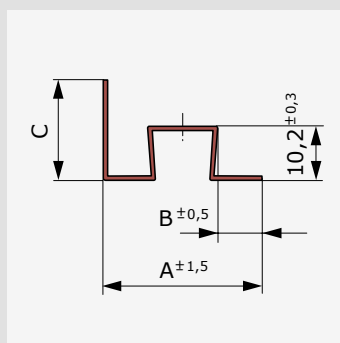
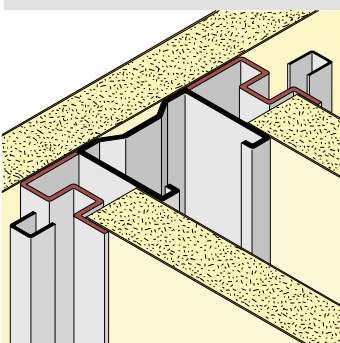
Material: zinc coated.
 Standard length: 2500 mm. Also other lengths available.
 Prescrewed every 300 mm.



OMEGA-profile

Thick- ness No.	A mm	B mm	Weight kg/m	
310	0,8	30	10	0,290

Material: zinc coated or stainless steel.
 Standard length: 2500 mm. Also other lengths available.
 Prescrewed every 300 mm.



OMEGA-profile for T-connection

Thick- ness No.	A mm	B mm	C mm	Weight kg/m
310-S0,8	30	10	X	0,370

Material: zinc coated or stainless steel.
 Standard length: 2500 mm. Also other lengths available.
 Prescrewed every 300 mm.

Size X to be specified

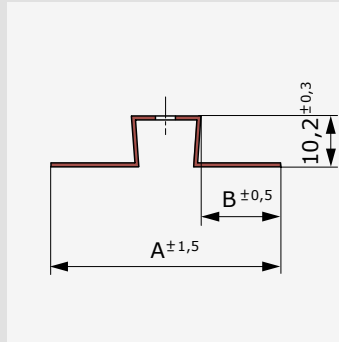
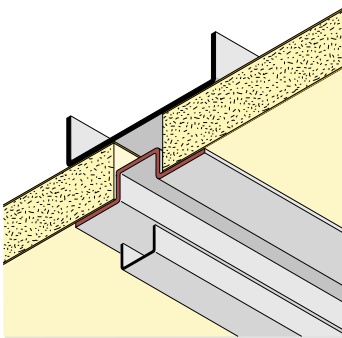


**FIPRO AG**

Baarerstrasse 8 | Postfach 452 | CH-6301 Zug | Switzerland

Phone +41 41 712 20 75 | Fax +41 41 712 20 76 | info@fipro-ag.com

www.fipro-ag.com

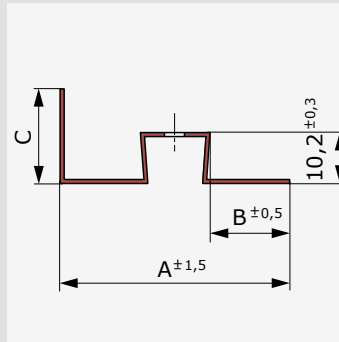
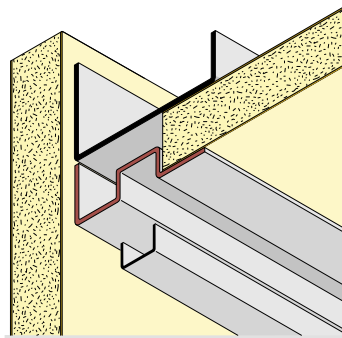
Metal Profiles***Ceiling jointing sections***

OMEGA-profile

No.	Thick- ness mm	A mm	B mm	Weight kg/m
310	0,8	30	10	0,290
316	0,8	46	16	0,377
	1,5	46	16	0,690
320	0,8	54	19	0,440
	1,5	54	19	0,780

Material: zinc coated or stainless steel.

Standard length: 2500 mm + 5000 mm. Also other lengths and sizes available, drilled on customer's request. For powder coating, colour for inside and outside to be specified.

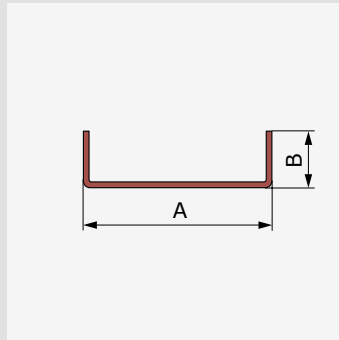
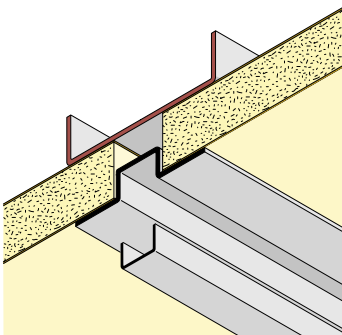
OMEGA-profile for ceiling/
bulkhead connection

No.	Thick- ness mm	A mm	B mm	C mm	Weight kg/m
310-S	0,8	30	10	X	0,370
316-S	0,8	46	16	X	0,460
	1,5	46	16	X	0,850
320-S	0,8	54	19	X	0,535
	1,5	54	19	X	0,935

Material: zinc coated or stainless steel.

Standard length: 2500 mm + 5000 mm. Also other lengths and sizes available, drilled on customer's request. For powder coating the colour for outside to be specified.

Size X to be specified

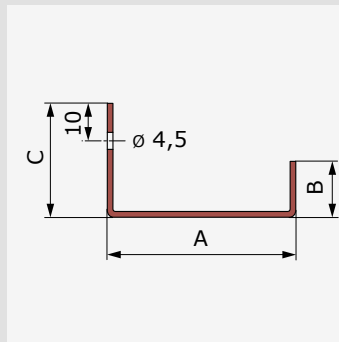
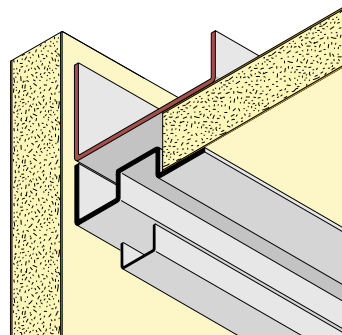


U-profile

No.	Thick- ness mm	A mm	B mm	Weight kg/m
150/15	1,5	50	15	0,884
160/30	1,5	50	30	1,238

Material: zinc coated or stainless steel.

Standard length: 2500 mm + 5000 mm. Also other lengths and sizes available.



U-profile

No.	Thick- ness mm	A mm	B mm	C mm	Weight kg/m
150/30	1,5	50	15	30	1,061

Material: zinc coated or stainless steel.

Standard length: 2500 mm + 5000 mm. Also other lengths and sizes available, drilled on customer's request.

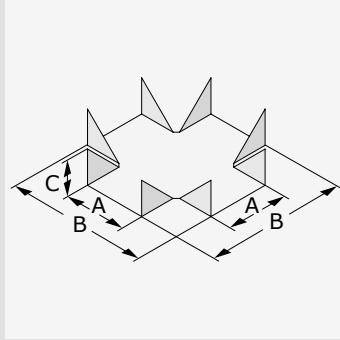
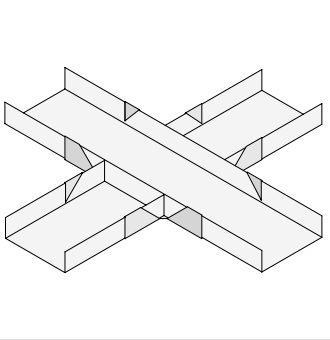


FIPRO AG

Baarerstrasse 8 | Postfach 452 | CH-6301 Zug | Switzerland
 Phone +41 41 712 20 75 | Fax +41 41 712 20 76 | info@fipro-ag.com
www.fipro-ag.com

Metal Profiles

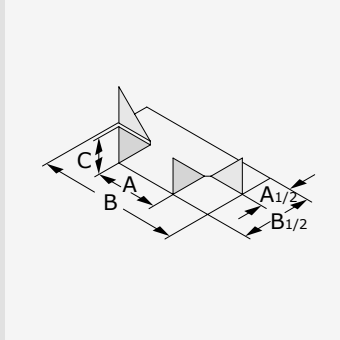
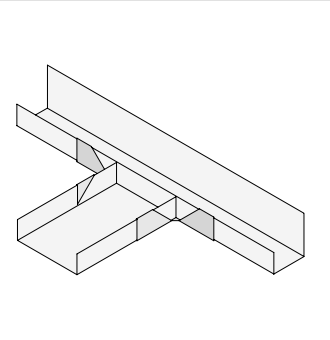
Cross jointing sections



Cross connector

No.	Thick- ness mm	A mm	B mm	C mm	Weight kg/each
Type A	0,8	50	114	29	0,075

Material: zinc coated or stainless steel.



Cross connector

No.	Thick- ness mm	A mm	B mm	C mm	Weight kg/each
Type B	0,8	50	114	29	0,037

Material: zinc coated or stainless steel.



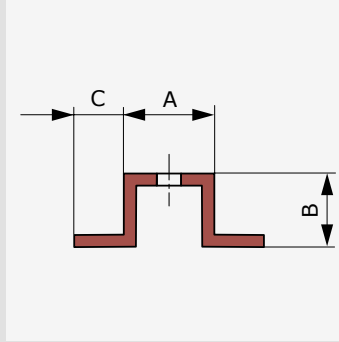
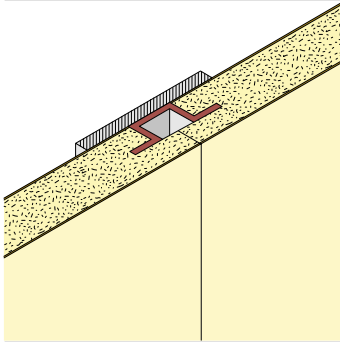


FIPRO AG

Baarerstrasse 8 | Postfach 452 | CH-6301 Zug | Switzerland
 Phone +41 41 712 20 75 | Fax +41 41 712 20 76 | info@fipro-ag.com
 www.fipro-ag.com

Metal Profiles

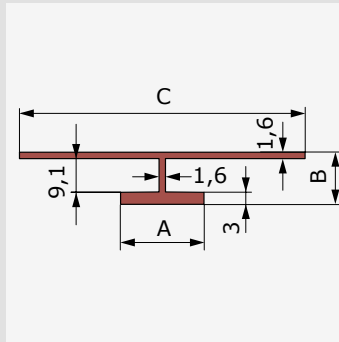
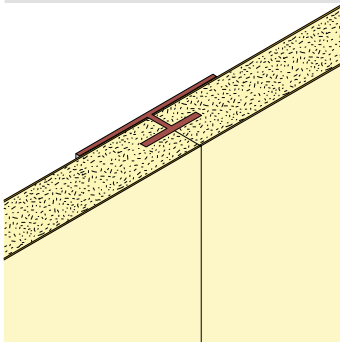
Special jointing sections



wall profile

No.	Thick-ness mm	A mm	B mm	C mm	Weight kg/m
MP 02	2,0	15	12	8	1,000

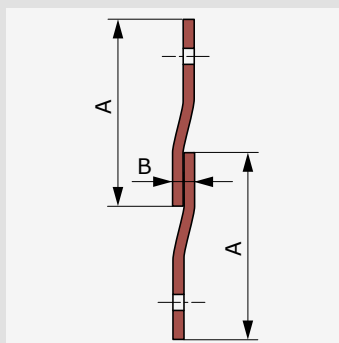
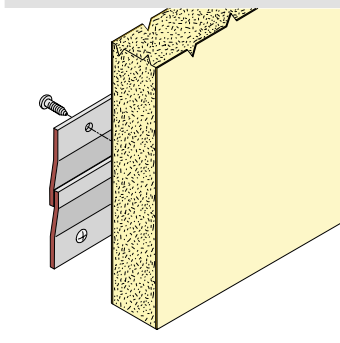
Remark: Only for C-class walls! Standard length: 2500 mm. Also other lengths available. Predrilled.



wall profile

No.	Thick-ness mm	A mm	B mm	C mm	Weight kg/m
MP 03	-	20	13,7	50	0,422

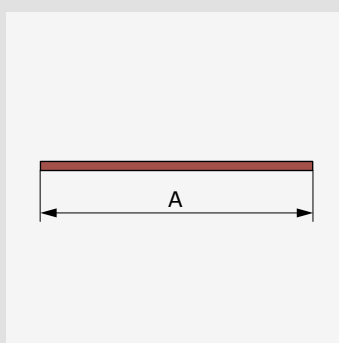
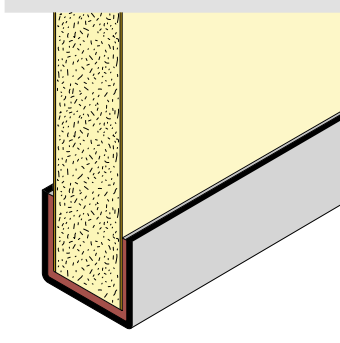
Material: aluminium AlMgSi 0,5 F22. Standard length: 4800 mm.



wall profile

No.	Thick-ness mm	A mm	B mm	Weight kg/m
MP 01	2,0	35	4	0,980

Material: zinc coated. Standard length: 2500 mm. Also other lengths available. Predrilled.



PE-foamed plastics for U-section inlay

No.	Thick-ness mm	A mm	Weight kg/m
-	2,0	50	0,012
-	2,0	60	0,015

PE foamed plastics on side, self adhesive, in rolls of 10,0 m.

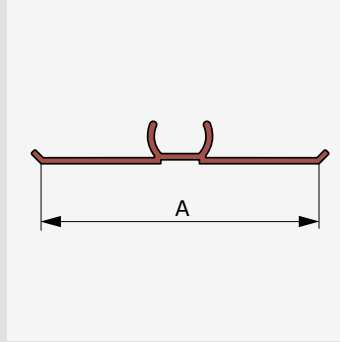
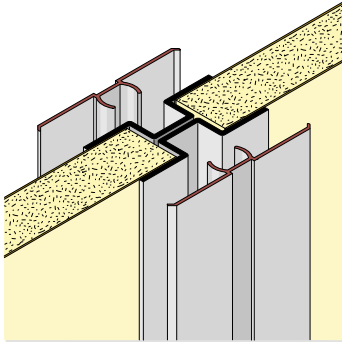


FIPRO AG

Baarerstrasse 8 | Postfach 452 | CH-6301 Zug | Switzerland
 Phone +41 41 712 20 75 | Fax +41 41 712 20 76 | info@fipro-ag.com
www.fipro-ag.com

PVC Profiles

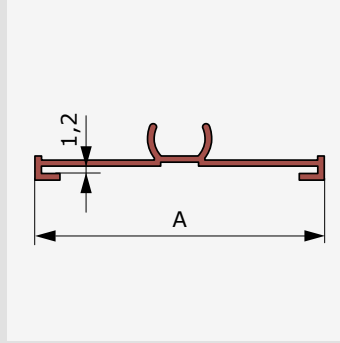
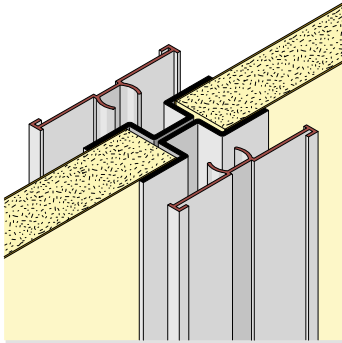
PVC Cover Profile



cover profile

No.	Thick- ness mm	A mm	Weight kg/m
1496	1,0	32,5	0,061
1483	1,0	49	0,080
1487	1,0	57	0,105

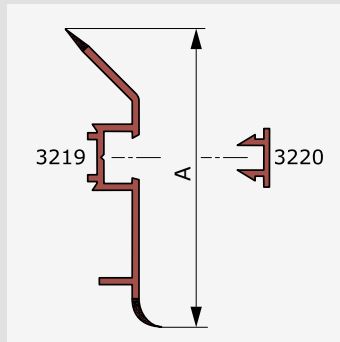
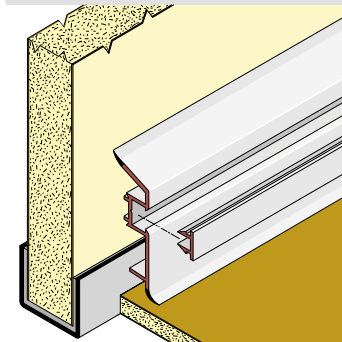
Standard colour: white 92-similar to RAL 9016, beige 124-similar to RAL 1001. Standard length: 2500 mm + 5000 mm. Also other lengths available. Special colours similar to RAL colour range.



cover profile for HPL inserts

No.	Thick- ness mm	A mm	Weight kg/m
6476	1,0	34,5	0,078
6472	1,0	51	0,085
6474	1,0	59	0,110

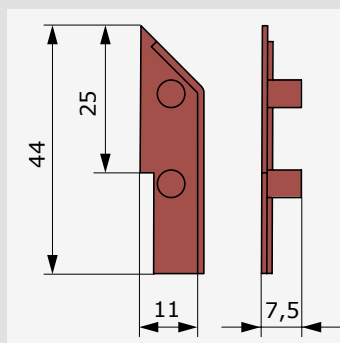
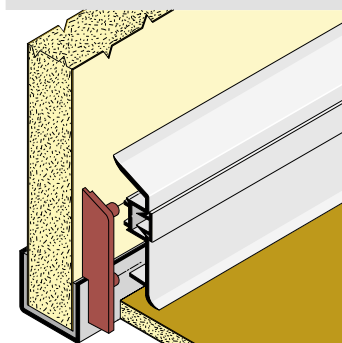
Standard colour: white 92-similar to RAL 9016, beige 124-similar to RAL 1001. Standard length: 2500 mm + 5000 mm. Also other lengths available. Special colours similar to RAL colour range.



skirting band

No.	A mm	Weight kg/m
3219/3220	48	0,210
3229/3220	60	0,270

Standard length: 5000 mm. Also other lengths and colours on request. Standard colour: grey 74-similar to RAL 7012, brown 80-similar to RAL 8011.



end covers

No.	Weight kg/each
End covers for section no. 3219/3220 section no. 3229/3220 left and right hand	-

Standard colour: grey 74-similar to RAL 7012, brown 80-similar to RAL 8011. Other colours on request.





FIPRO is the fire protection panel to consider when planning and installing any ship and offshore furnishings, as well as public high-rise buildings. It is safe and easy to work with, and can be used anywhere. Besides its excellent acoustic properties, it is certified by all leading classification societies and government agencies.

The information contained in this publication serves only for purposes of clarification, and is not intended to form the basis of contractual obligations. Further information and advice on specific details of the products described can be obtained in writing from Fipro. Fipro and Mineralka are consistently running product development programmes and reserves the right to modify product specifications at any time without notice. The customer/user is thus always obliged to ensure that the material from Fipro/Mineralka are suitable for his specific purposes. The specified values are average figures determined from current production and are intended only for information. Warranty claims cannot be derived from these figures. We recommend that you should always test the material for your application. **Sales via Fipro AG is subject to the General Terms and Conditions of Sale. Copy of them is available on request.**

We will be happy to assist you with any questions.

Terry Mannion
Marine Division Manager
Thermax Marine Panel Specialists

+1 410 963 1160
Terry.Mannion@PanelSpec.com

www.ThermaxMarine.com

RFQ's for special order items promptly acknowledged