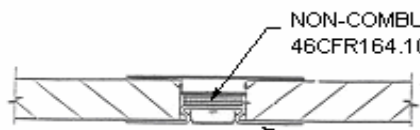
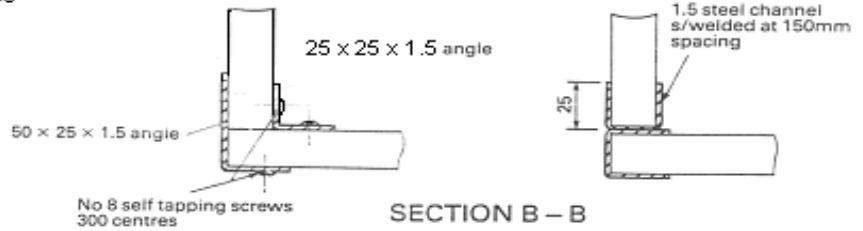
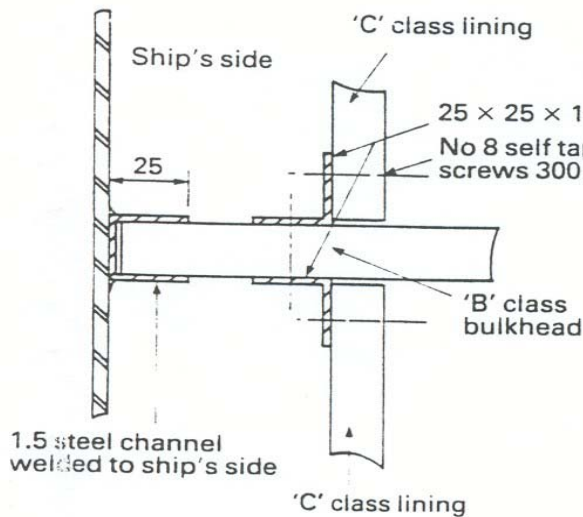


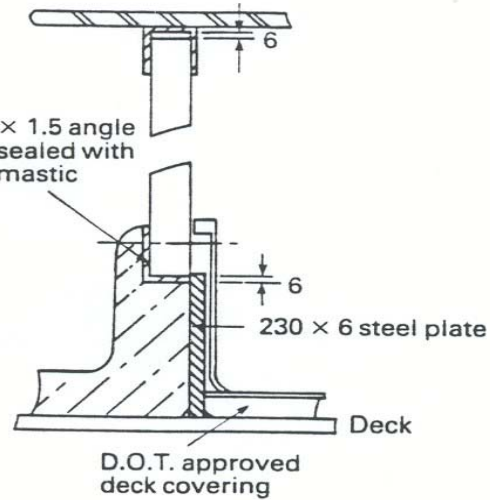
Bulkhead connection to deckhead showing filling in pieces between beams



SECTION C - C



Connection between 'B' class bulkhead and 'C' class lining or 'B15' bulkhead and a 'BO' lining



'B' class bulkhead in way of sanitary accommodation

Thermax Brandschutzbauteile
Gesellschaft m.b.H.

Thermax SN, SN 650
B 15 General Assembly, Details

Drawing No.: SOB15-0304-2